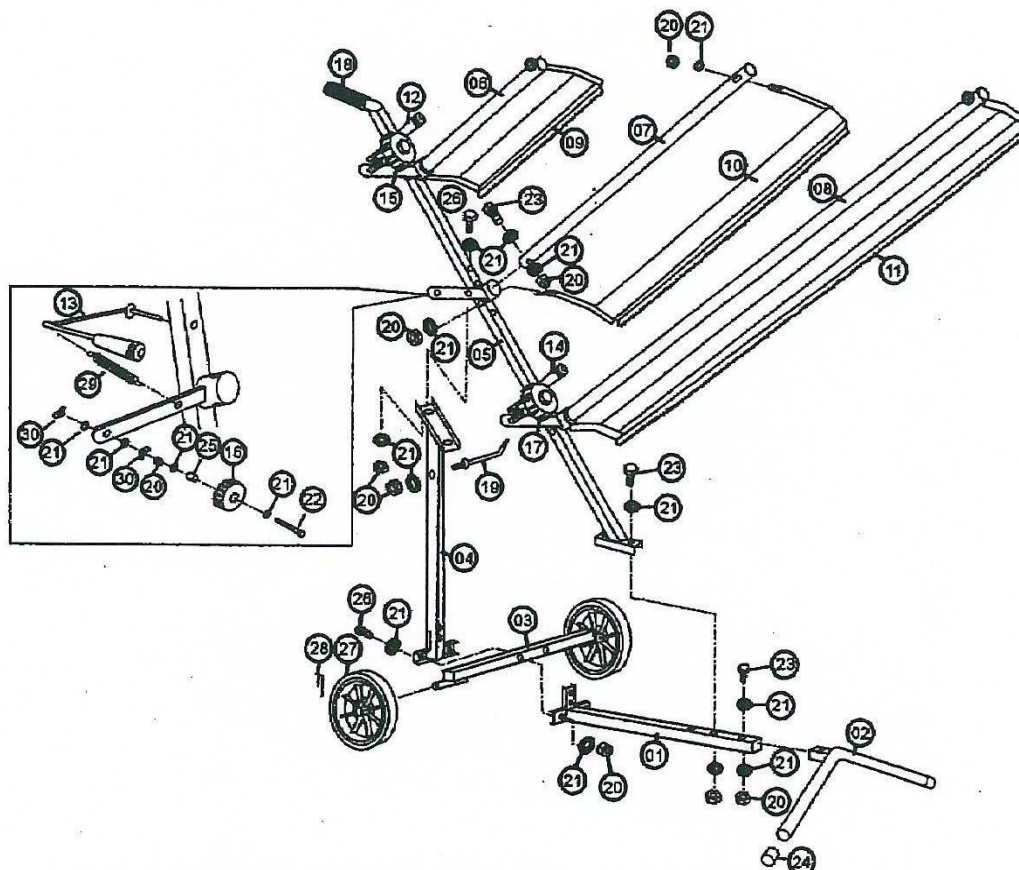


**TECHNICAL DATA SHEET**

**EQU 57 – Finixa paper standard for 3 rolls (30, 60 and 90cm)**



| Nr | Description            | Q'ty | Nr | Description         | Q'ty |
|----|------------------------|------|----|---------------------|------|
| 01 | Main frame (A)         | 1    | 16 | Roller tape         | 1    |
| 02 | Leg                    | 1    | 17 | Roller tape         | 1    |
| 03 | Main frame (B)         | 1    | 18 | Handle grip         | 1    |
| 04 | Main frame (C)         | 1    | 19 | L-shaper bar        | 1    |
| 05 | Main frame (D)         | 1    | 20 | Nut 1/4"            | 20   |
| 06 | Support paper rool 18" | 1    | 21 | Washer              | 39   |
| 07 | Support paper rool 24" | 1    | 22 | Screw 1/4" x 3      | 3    |
| 08 | Support paper rool 36" | 1    | 23 | Screw 1/4" x 1      | 6    |
| 09 | Paper rool 18"         | 1    | 24 | Cap leg             | 2    |
| 10 | Paper rool 24"         | 1    | 25 | Bushing             | 3    |
| 11 | Paper rool 36"         | 1    | 26 | Screw 1/4" x 1-1/2" | 6    |
| 12 | Shaft tape roll        | 1    | 27 | Whell               | 2    |
| 13 | Shaft tape roll        | 1    | 28 | Split pin           | 2    |
| 14 | Shaft tape roll        | 1    | 29 | Spring tension      | 3    |
| 15 | Roller tape            | 1    | 30 | Wing nut            | 6    |

The above information is given in good faith, but the user should assure himself that the performance of the product is sufficient for his application. The quoted values are average and should not be taken as maximum or minimum values for specific purposes. Chemicar Europe cannot be held responsible for product failure unless full testing has been carried out.